

Side Channels Installation Instructions

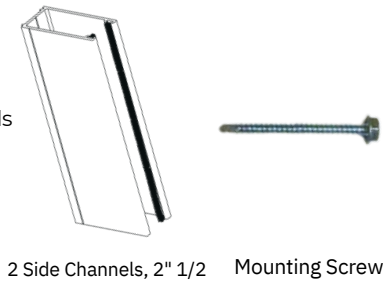
For Inside Mount Roller Shades

Tools Required

- Metal measuring tape
- Level
- Awl or pencil
- Ladder or stepstool
- Power Drill
- 1/4 in Drill Bit
- 3/8 in Drill Bit
- Miter Saw

Components Included

- 2 One-piece side channels
- # 6 Mounting screws



Important Information on Fasteners

The components must be securely attached to the mounting surface. The screws included can be used in wood or metal. When installing to wood, drill 1/16" pilot holes before setting the screws. When installing to metal, use self tapping screws (Not Included) or predrill 1/8" holes.

For other surfaces, use special fasteners designed for your mounting surface (not included).

See Figure 1 for examples. When selecting your fastener, make sure it is designed to support the weight of the product being installed. Follow the fastener manufacturer's instructions carefully.

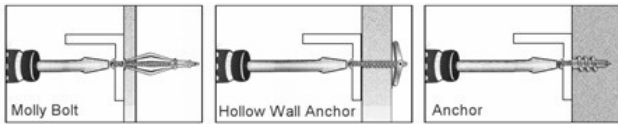
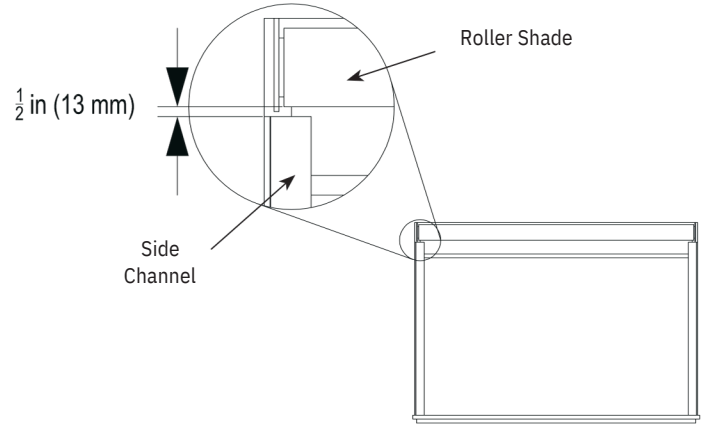


Figure 1 Special Fasteners

Step 1: Measure and Position the Side Channels

1.1 Measure the Window Frame Height: Before starting installation, measure the height of both sides of the window frame from the bottom of the frame to the brackets. If the shade is manual, measure from the bottom to the clutch mechanism instead. This ensures an accurate fit for each side channel.

Note: Maintain a space of 1/2 in (13 mm) between roller and top of side channel.



1.2 Trim if Necessary: Every window frame can vary in dimensions and may not be perfectly level. It is common to need slight adjustments, so if the side channels are longer than the measured height, trim them to the correct length using a miter saw. This step ensures a precise fit for each side channel.

1.3 Position the Side Channels: Place each side channel against the sides of the window frame, positioning the top edge of the channel against the shade's Valance. Ensure each channel is positioned perpendicular to the window frame for proper alignment. Align the center of each channel with the edge of the shade fabric.

- **Check Alignment:** To confirm proper alignment, lower the shade into the side channels. This will help ensure that the shade moves smoothly within the channels and is correctly positioned.

1.4 Mark the Position: With the channels aligned, mark the installation positions on the window frame to guide the mounting

Step 2: Drill the Holes

Mark the locations on the side channel where the mounting screws will be placed. Using a 1/4-inch drill bit, carefully drill holes through both sides of the side channel at each marked point.

After drilling, clear any metal shavings from the side channel and wool pile. Removing these metal chips will help reduce noise during operation and protect the shade fabric from damage.

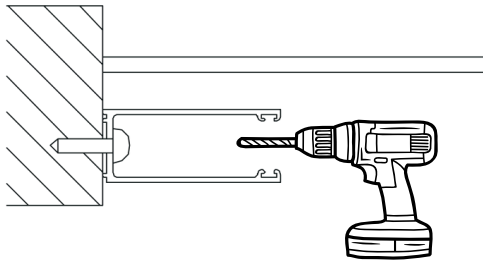
Tip: Place a screw about 1" from each end plus additional screws approximately every 24".

Step 3: Mount the Side Channels

3.1 Position Each Side Channel: Align each side channel based on the measured bottom-to-bracket length of the shade to ensure a snug fit.

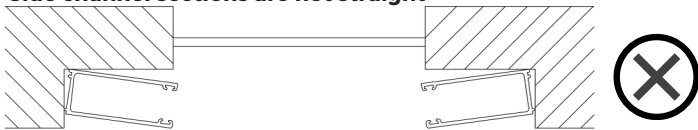
3.2 Insert Mounting Screws: Begin by inserting the mounting screws into the pre-drilled holes from Step 2. Start with the top screws to stabilize the side channel and prevent it from tipping over. Gradually add the remaining screws, ensuring each one is secure.

Important: Avoid overtightening the screws, as this can cause the side channel to warp, especially on uneven mounting surfaces.

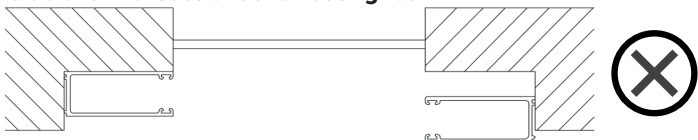


3.3 Check Alignment: As you install each section, confirm that the side channels are plumb (vertically straight), level, and square to the window frame.

Side channel sections are not straight



Side channel sections are not aligned



Side channel sections are straight and aligned



3.4 Repeat for Each Channel: Follow these steps for each side channel to ensure an even, precise installation.

Troubleshooting

Problem	Solution
Fabric does not move smoothly	Align and straighten side channel. Orient side channel so wool pile points downward. Ensure shade or hembar is not rubbing on the side channel or mounting screws. Ensure shade is not rubbing on the edge of the side channel
Shade motion sounds abnormally loud inside the side channel	Ensure shade is not rubbing on the edge of the side channel
Shade hembar comes out of the side channel when the shade opens	Set shade open limit below the top of the side channels
Shades blow out of the side channels	Equalize air pressure by providing a path for air flow on the window side of the shade, perhaps by drilling holes in the top of the pocket or top back cover